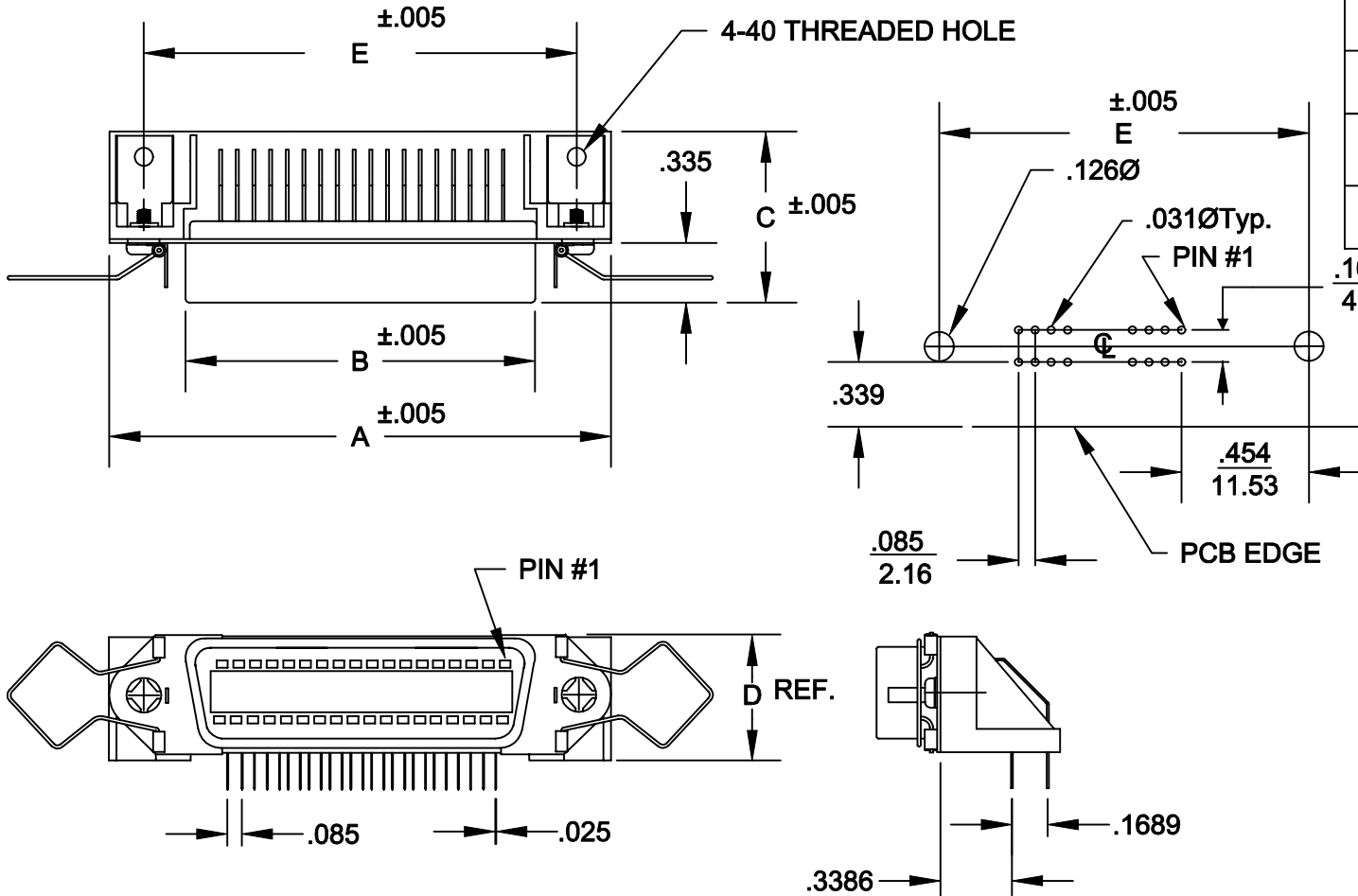


DESCRIPTION: .085" RIBBON FEMALE R/A BOARD MOUNT



	A	B	C	D	E
14	1.721	1.992	.969	.610	1.417
	43.70	25.20	24.60	15.50	35.99
24	2.146	1.417	.969	.610	1.842
	54.50	36.00	24.60	15.50	46.79
36	2.662	1.925	.969	.610	2.352
	67.60	48.90	24.60	15.50	59.74
50	3.260	2.520	.969	.610	2.947
	82.80	64.00	24.60	15.50	74.85

112-XXX-213-001

SERIES _____

POSITIONS _____

014 _____

024 _____

036 _____

050 _____

GENDER _____

2 = FEMALE

TERMINATION _____

1 = DIP SOLDER

SHELL PLATING _____

3 = NICKEL

HARDWARE OPTIONS _____


00 = 4-40 THREAD PCB

PLATING OPTIONS _____

01 = GOLD FLASH

MATERIALS:
SHELL: STEEL, ZINC PLATED
INSULATOR: GLASSFILLED THERMOPLASTIC - UL RATED 94V-0
CONTACTS: PHOSPHOR BRONZE - GOLD FLASH PLATING

ELECTRICALS:
CONTACT CURRENT RATING: 5 AMPS
DIELECTRIC STRENGTH: 100V FOR ONE MINUTE
INSULATION RESISTANCE: 1000 MOHMS MINIMUM
AT 500V DC
OPERATING TEMPERATURE: -55°C TO +105°C

	THESE DRAWINGS AND SPECIFICATIONS ARE THE PROPERTY OF NorComp AND SHALL NOT BE REPRODUCED, COPIED OR USED AS THE BASIS FOR THE MANUFACTURE OF SALE OF APPARATUS WITHOUT WRITTEN PERMISSION.	DRAWN: WAYNE ROBBINS DATE: 9-21-98
		CHECKED: _____ DATE: _____
<h1>NorComp</h1>		SCALE: 1:1 SHEET 1 OF 1 REV 8
		DWG NO. 112-XXX-213-001